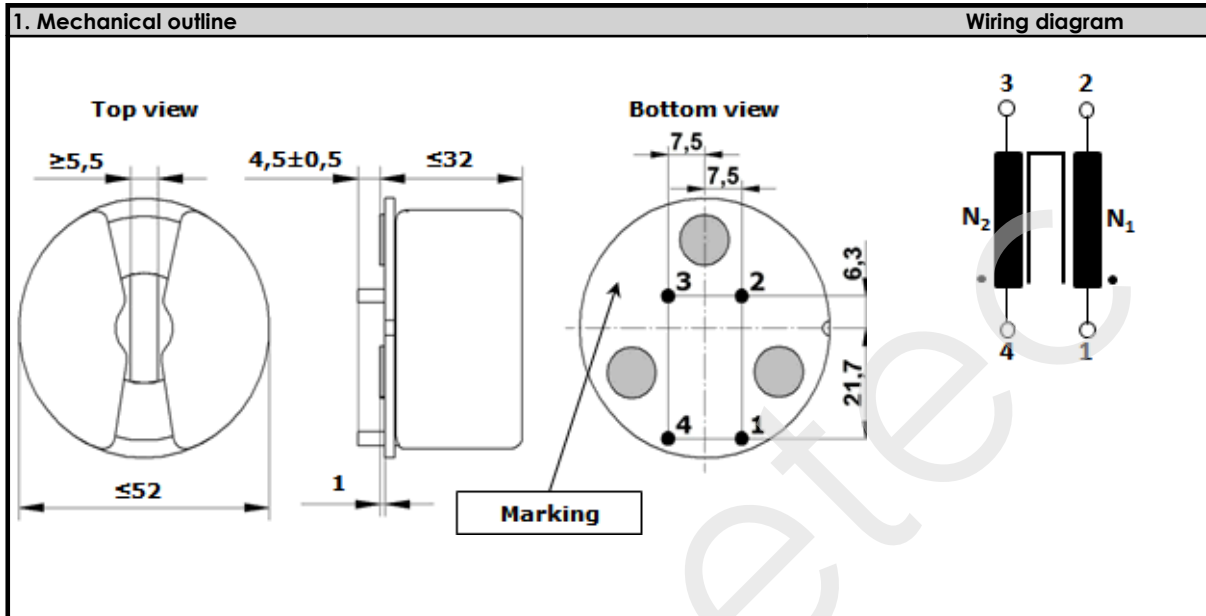


CONFIDENTIAL - Reproduction, publication and dissemination of this publication, enclosures hereto and the information contained therein is prohibited without MAGNETEC's prior written consent.

Client:	MAGNETEC	Magnetec P/N:	MB-740	
Client's p/n:	/	PS Index:	03	PS Revision: 02
Subject:	EMC Component			



2. Nominal values			
Core material:	NANOPERM®	High voltage strength:	Up,eff = 2,5 kV
Nominal voltage:	600 Veff AC	Ambient temperature:	-40 ... +70 °C
Nominal inductance:	2 x 3,6 mH	Max. operating temperature:	°C
Nominal current:	40 A	Storage temperature:	-40 ... +85 °C
Leakage inductances:	ca. 3,2 µH	Design standard:	
No. of turns:	N1 = N2 = 6	Wire diameter:	2,65 mm
Comments:			

3. Inspection values (at room temperature, unless otherwise stated)			
Measured value	Measuring limits	Measuring configurations	
Inductivity L1; L2 [mH]	2,3 - 5,2	f = 10 kHz	Ueff = 0,1 V
Inductivity L1; L2 [mH]	0,57 - NA	f = 100 kHz	Ueff = 0,1 V
Wire resistance Rcu1; Rcu2 [mOhms]	0 - 1,4	T = 23±3°C	
HV strength between N1; N2 / liso<1mA	OK - NOK	Ueff = 2,5 kV	t = 2 s
	-		

4. Others	
Marking:	MAGNETEC MB-740-03 YM (YM = Year/Month), acc. to IEC 60062 6.1.1
Packaging:	12 pcs. per layer, 3 layers per carton box; PU = 36 pcs.
Comments:	Visit http://www.magnetec.de/fileadmin/pdf/pb_ds.pdf for further information.

Index / Rev.	Alteration	Date
03 / 01	First issue	29.03.2016
03 / 02	Wiring diagram modification	22.08.2018

Created:	Z. Palánki 22.08.2018	Approved (Techn):	F. Zámbořszky 23.08.2018	Approved (Quality):	R. Montvai 27.08.2018	Released:	P. Seiz 29.08.2018
-----------------	--------------------------	--------------------------	-----------------------------	----------------------------	--------------------------	------------------	-----------------------

CONFIDENTIAL - Reproduction, publication and dissemination of this publication, enclosures hereto and the information contained therein is prohibited without MAGNETEC's prior written consent. Disclosing the specification to third parties or using its content without written permission from MAGNETEC is strictly forbidden and every offender is liable to pay the corresponding damages.