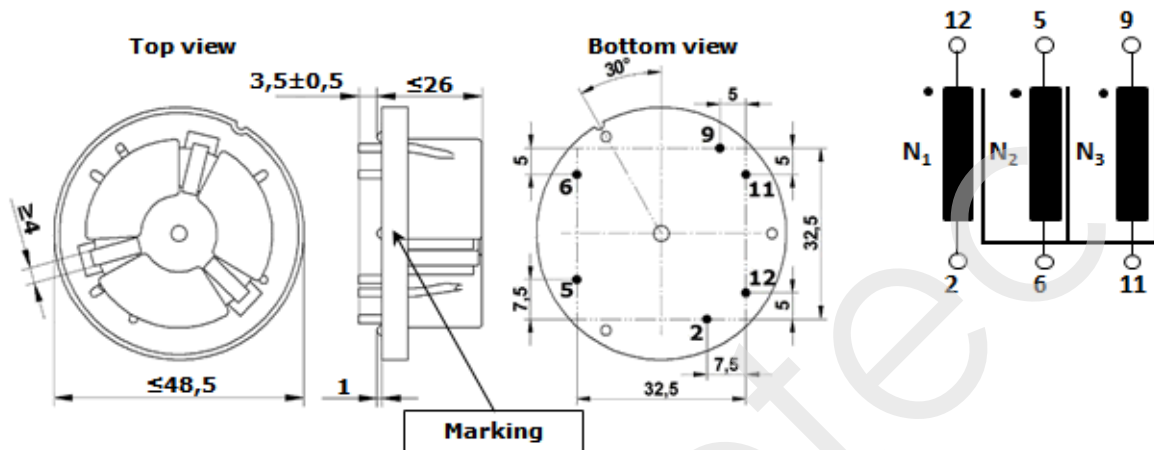


CONFIDENTIAL - Reproduction, publication and dissemination of this publication, enclosures hereto and the information contained therein is prohibited without MAGNETEC's prior written consent.

| | | | | |
|----------------------|----------------------|----------------------|---------------|------------------------|
| Client: | MAGNETEC | Magnetec P/N: | MB-937 | |
| Client's p/n: | / | PS Index: | 01 | PS Revision: 03 |
| Subject: | EMC Component | | | |

| | |
|------------------------------|-----------------------|
| 1. Mechanical outline | Wiring diagram |
|------------------------------|-----------------------|



Pin position tolerance: $\pm 0,3\text{mm}$
 Position of cable tie terminal clip is on the lower side of the cores outer perimeter.

2. Nominal values

| | | | |
|----------------------|--|-----------------------------|------------------------|
| Core material: | NANOPERM® | High voltage strength: | Up,eff = 2,5 kV |
| Nominal voltage: | 440 Veff AC | Ambient temperature: | -40 ... +60 °C |
| Nominal inductance: | 3 x 4,4 mH | Max. operating temperature: | °C |
| Nominal current: | 16* A | Storage temperature: | -40 ... +85 °C |
| Leakage inductances: | ca. 12 µH | Design standard: | EN 60938-1 |
| No. of turns: | N1 = N2 = N3 = 9 | Wire diameter: | 1,4 mm |
| Comments: | * In case of forced air cooling . | | |

3. Inspection values (at room temperature, unless otherwise stated)

| Measured value | Measuring limits | Measuring configurations | |
|---|------------------|--------------------------|------------------|
| Inductivity L1; L2; L3 [mH] | 2,8 - 7,1 | f=10 kHz | Ieff=2 mA |
| Inductivity L1; L2; L3 [mH] | 0,75 - NA | f=100 kHz | Ieff=2 mA |
| Wire resistance Rcu1; Rcu2; Rcu3 [mOhms] | 0 - 5,5 | T = 23±3 °C | |
| HV strength between N1; N2; N3 / Iiso<1mA | OK - NOK | Up,eff = 2,5 kV | t=2 s |
| | - | | |

4. Others

| | |
|------------|--|
| Marking: | MAGNETEC MB-937-01 YM (YM = Year/Month), acc. to IEC 60062 6.1.1 |
| Packaging: | 15 pcs. per layer, 3 layers per carton box; PU = 45 pcs. |
| Comments: | Visit http://www.magnetec.de/fileadmin/pdf/pb_ds.pdf for further information. |

| Index / Rev. | Alteration | Date |
|--------------|---|------------|
| 01 / 01 | First issue | 26.02.2015 |
| 01 / 02 | Head of cable tie on the outer perimeter | 22.04.2015 |
| 01 / 03 | Nominal current in case of forced air cooling | 30.09.2015 |

| | | | | | | | |
|-----------------|--------------------------|--------------------------|------------------------------|----------------------------|-------------------------|------------------|------------------------|
| Created: | Z. Palánki 30.09.2015 | Approved (Techn): | F. Zámboreszky 06.11.2015 | Approved (Quality): | J. Gulyás 06.11.2015 | Released: | T. Trupp 06.11.2015 |
|-----------------|--------------------------|--------------------------|------------------------------|----------------------------|-------------------------|------------------|------------------------|

CONFIDENTIAL - Reproduction, publication and dissemination of this publication, enclosures hereto and the information contained therein is prohibited without MAGNETEC's prior written consent. Disclosing the specification to third parties or using its content without written permission from MAGNETEC is strictly forbidden and every offender is liable to pay the corresponding damages.