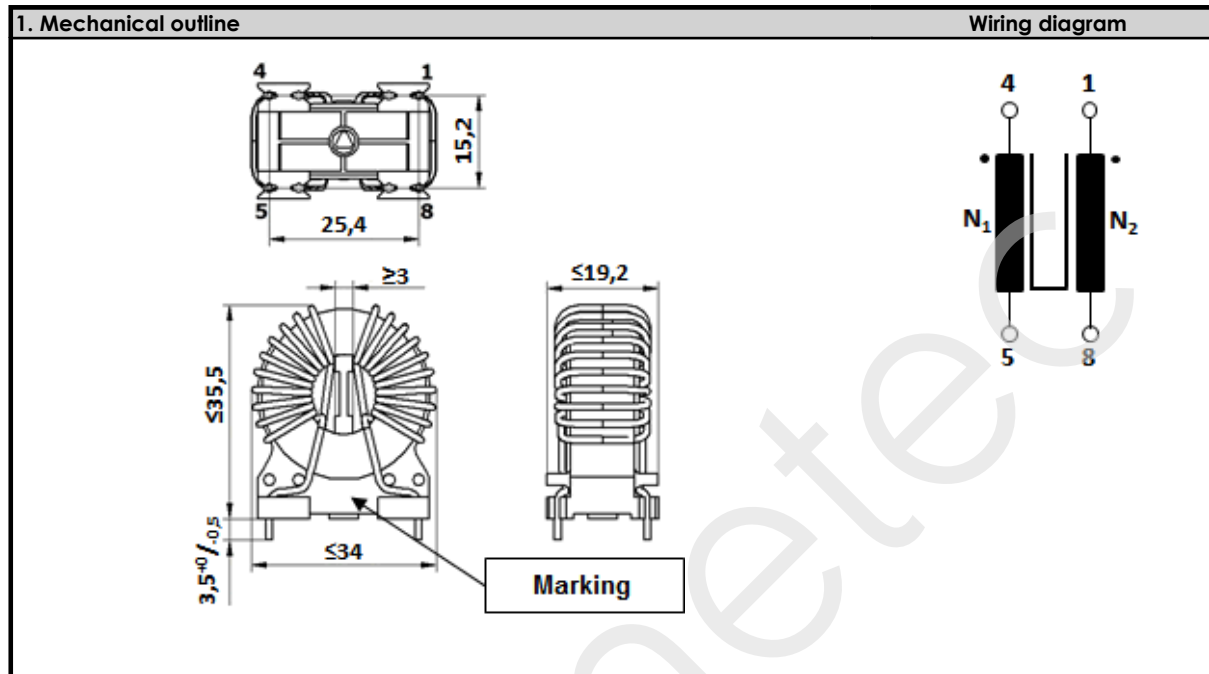


CONFIDENTIAL - Reproduction, publication and dissemination of this publication, enclosures hereto and the information contained therein is prohibited without MAGNETEC's prior written consent.

<b>Client:</b>	<b>MAGNETEC</b>	<b>Magnetec P/N:</b>	<b>MB-606</b>	
<b>Client's p/n:</b>	/	<b>PS Index:</b>	<b>01</b>	<b>PS Revision:</b> 02
<b>Subject:</b>	<b>EMC Component</b>			



2. Nominal values			
Core material:	<b>NANOPERM®</b>	High voltage strength:	<b>Up,eff = 2,5 kV</b>
Nominal voltage:	<b>250 Veff AC</b>	Operating temperature:	<b>-40 ... +70 °C</b>
Nominal inductance:	<b>2 x 30 mH</b>	Max. operating temperature:	°C
Nominal current:	<b>6,5 A</b>	Storage temperature:	<b>-40 ... +85 °C</b>
Leakage inductances:	<b>ca. 24 µH</b>	Design standard:	<b>EN 60938-1</b>
No. of turns:	<b>N1 = N2 = 22</b>	Wire diameter:	<b>1 mm</b>
Comments:			

3. Inspection values (at room temperature, unless otherwise stated)			
Measured value	Measuring limits	Measuring configurations	
Inductivity L1; L2 [mH]	19,3 - 43,1	f = 10 kHz	Ueff = 0,1 V
Inductivity L1; L2 [mH]	6,1 - NA	f = 100 kHz	Ueff = 0,1 V
Wire resistance Rcu1; Rcu2 [mOhms]	0 - 27	T = 23±3°C	
HV strength between N1; N2 / Iiso < 1mA	OK - NOK	Ueff = 2,5 kV	t = 2 s
	-		

4. Others	
Marking:	<b>MAGNETEC MB-606-01 YM (YM = Year/Month), acc. to IEC 60062 6.1.1</b>
Packaging:	<b>30 pcs. per layer, 4 layers per carton box; PU = 120 pcs.</b>
Comments:	Visit <a href="http://www.magnetec.de/fileadmin/pdf/pb_ds.pdf">http://www.magnetec.de/fileadmin/pdf/pb_ds.pdf</a> for further information.

Index / Rev.	Alteration	Date
01 / 01	First issue	12.05.2015
01 / 02	Nominal current and leakage inductance correction	29.06.2018

<b>Created:</b>	Z. Palánki 29.06.2018	<b>Approved (Techn):</b>	F. Zámboreszky 04.07.2018	<b>Approved (Quality):</b>	R. Montvai 04.07.2018	<b>Released:</b>	F. Rauscher 09.07.2018
-----------------	--------------------------	--------------------------	------------------------------	----------------------------	--------------------------	------------------	---------------------------

CONFIDENTIAL - Reproduction, publication and dissemination of this publication, enclosures hereto and the information contained therein is prohibited without MAGNETEC's prior written consent. Disclosing the specification to third parties or using its content without written permission from MAGNETEC is strictly forbidden and every offender is liable to pay the corresponding damages.