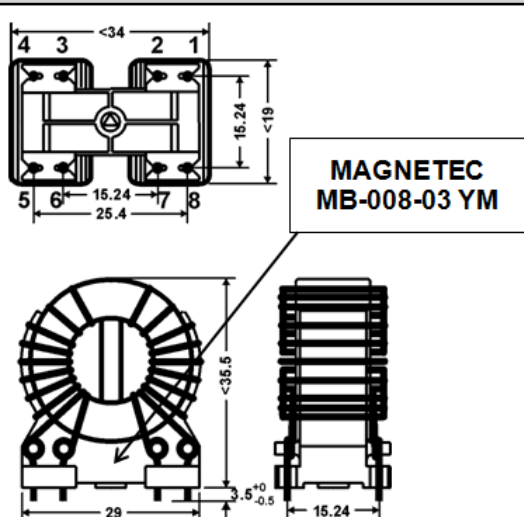
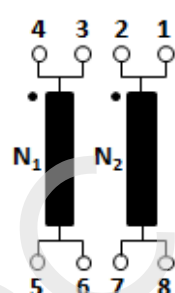


CONFIDENTIAL - Reproduction, publication and dissemination of this publication, enclosures hereto and the information contained therein is prohibited without MAGNETEC's prior written consent.

<b>Client:</b>	<b>MAGNETEC</b>	<b>Magnetec P/N:</b>	<b>MB-008</b>	
<b>Client's p/n:</b>	/	<b>PS Index:</b>	<b>03</b>	<b>PS Revision:</b> 02
<b>Subject:</b>	<b>EMC Component</b>			

1. Mechanical outline	Wiring diagram
	
Pin position tolerance: $\pm 0,3\text{mm}$	

2. Nominal values			
Core material:	<b>NANOPERM®</b>	High voltage strength:	<b>Up,eff = 2,5 kV</b>
Nominal voltage:	<b>250 Veff AC</b>	Ambient temperature:	<b>-40 ... +60 °C</b>
Nominal inductance:	<b>2 x 0,5 mH</b>	Max. operating temperature:	<b>°C</b>
Nominal current:	<b>25 A</b>	Storage temperature:	<b>-40 ... +85 °C</b>
Leakage inductances:	<b>ca. 1 µH</b>	Design standard:	<b>EN 60938-1</b>
No. of turns:	<b>N1 = N2 = 3</b>	Wire diameter:	<b>2x 1,18 mm</b>
Comments:			

3. Inspection values (at room temperature, unless otherwise stated)			
Measured value	Measuring limits	Measuring configurations	
Inductivity L1; L2 [mH]	<b>0,35 - 0,87</b>	f = 10 kHz	leff = 1 mA
Wire resistance Rcu1; Rcu2 [mOhms]	<b>NA - 2</b>	RT = 25 °C	
HV strength between N1 and N2 / liso < 1 mA	<b>OK - NOK</b>	Up,eff = 2,5 kV	t = 2 s
	-		
	-		

4. Others	
Marking:	<b>MAGNETEC MB-008-03 YM (YM = Year/Month), acc. to IEC 62 5.1</b>
Packaging:	<b>30 pcs. per layer, 4 layers per carton box; PU = 120 pcs.</b>
Comments:	Visit <a href="http://www.magnetec.de/fileadmin/pdf/pb_ds.pdf">http://www.magnetec.de/fileadmin/pdf/pb_ds.pdf</a> for further information.

Index / Rev.	Alteration	Date
03 / 00	Product Specification	19.10.2004
03 / 01	LN format	08.03.2013
03 / 02	Wiring diagram corrected	08.04.2013

<b>Created:</b>	Z. Palánki 08.04.2013	<b>Approved (Techn):</b>	F. Záborszky 18.04.2013	<b>Approved (Quality):</b>	J. Gulyas 18.04.2013	<b>Released:</b>	F. Rauscher 18.04.2013
-----------------	--------------------------	--------------------------	----------------------------	----------------------------	-------------------------	------------------	---------------------------

CONFIDENTIAL - Reproduction, publication and dissemination of this publication, enclosures hereto and the information contained therein is prohibited without MAGNETEC's prior written consent. Disclosing the specification to third parties or using its content without written permission from MAGNETEC is strictly forbidden and every offender is liable to pay the corresponding damages.